

REVISIONS		DATE	APPROVED
ZONE	REV.	DESCRIPTION	
A		ORIGINAL RELEASE, JOB # 20250E-1	11/22/92 <i>WSP</i>

DESCRIPTION

AMC MODEL SW-2184-1AT IS AN ABSORPTIVE SPST SWITCH WITH INTEGRAL TTL DRIVER DESIGNED FOR HIGH ISOLATION, HIGH SPEED, AND LOW VIDEO TRANSIENT APPLICATIONS.

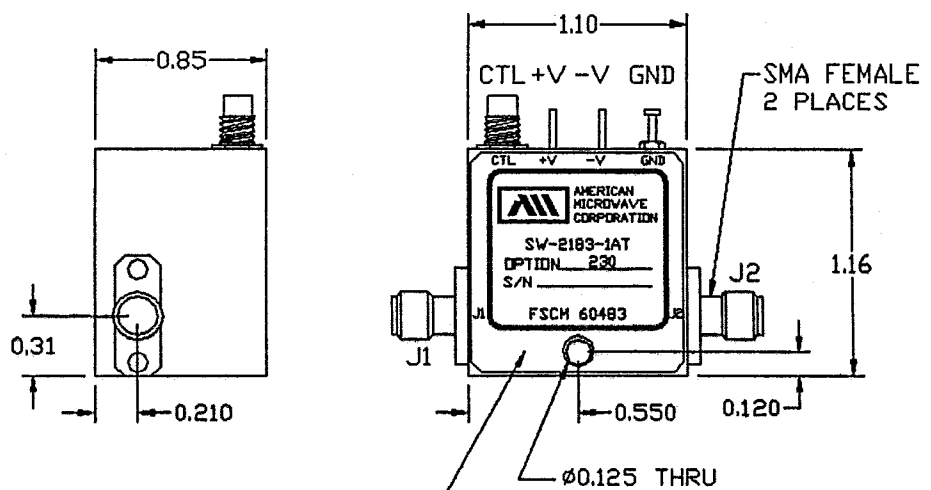
SPECIFICATIONS

- FREQUENCY RANGE 2-18 GHz MINIMUM
- INSERTION LOSS 3.5 dB MAXIMUM
- ISOLATION 80 dB MINIMUM
- VSWR (ON/OFF) 2.0:1 MAXIMUM
- SWITCHING TIME
 - RISE (10% RF TO 90% RF) 10 nsec MAXIMUM
 - FALL (90% RF TO 10% RF) 10 nsec MAXIMUM
 - ON (50% TTL TO 90% RF) 50 nsec MAXIMUM
 - OFF (50% TTL TO 10% RF) 50 nsec MAXIMUM
- RF POWER RATINGS +23 dBm CW MAXIMUM
- IN-BAND VIDEO POWER/TRANSIENTS -60 dBm MAXIMUM, OR
10 mV (P-P) IN 100 MHz BW
- CONTROLS TTL COMPATIBLE, UNITY LOAD
LOGIC "0" = INSERTION LOSS
LOGIC "1" = ISOLATION
- POWER SUPPLY +5VDC ±5% @70 mA MAXIMUM
-5VDC ±5% @70 mA MAXIMUM
- CONNECTORS
 - RF INPUT/OUTPUT SMA FEMALE
 - POWER SOLDER PIN (EMI)
 - CONTROL SMC (MALE)
- SIZE 1.10" x 1.16" x 0.85"

AVAILABLE OPTIONS

- A01 50Ω CONTROL IMPEDANCE
- A02 100Ω CONTROL IMPEDANCE
- A03 INVERSE CONTROL LOGIC (LOGIC "0" ISOLATION)
- A13 ±9 TO ±15 VOLTS SUPPLY
- A14 J1 SMA MALE, J2 SMA FEMALE CONNECTORS
- A15 TWO SMA MALE CONNECTORS
- A18 SOLDER TYPE CONTROL TERMINAL
- 240 6.0-18.5 GHz, 1 WATT CW RF POWER

MECHANICAL OUTLINE




MARKINGS THIS SURFACE
DRIVER SIDE COVER

- NOTES:
- 1) DIMENSIONS ARE IN INCHES
 - 2) TOLERANCES: X.XX ±0.020
X.XXX ±0.010
 - 3) WEIGHT: APPROX. 1.5 OZ

ENVIRONMENTAL RATINGS

- TEMPERATURE -55°C TO +95°C (OPERATING)
-65°C TO +125°C (STORAGE)
- HUMIDITY MIL-STD-202F, METHOD 103B COND. B
- SHOCK MIL-STD-202F, METHOD 213B COND. B
- VIBRATION MIL-STD-202F, METHOD 204D COND. B
- ALTITUDE MIL-STD-202F, METHOD 105C COND. B
- TEMPERATURE CYCLE MIL-STD-202F, METHOD 107D COND. A

		AMERICAN MICROWAVE CORPORATION 7311G GROVE RD., FREDERICK, MD. 21701 TEL: (301) 662-4700 FAX: (301) 662-4938	
APPROVALS	DATE	PRODUCT FEATURE SW-2184-1AT-230 2-18 GHz, NON-REFLECTIVE SPST SWITCH/MODULATOR	
DRAWN <i>WSP</i>	11/22/92	SIZE A SHEET 1 OF 2 DWG. # 100-2880	
CHECKED <i>[Signature]</i>	11/22/92		

2-15